

Proposed IEEE 802.3cz PMD, MDI and Media Baseline Text

Steve Swanson

December 15, 2020

IEEE P802.3cz Multi-Gigabit
Optical Automotive Task Force

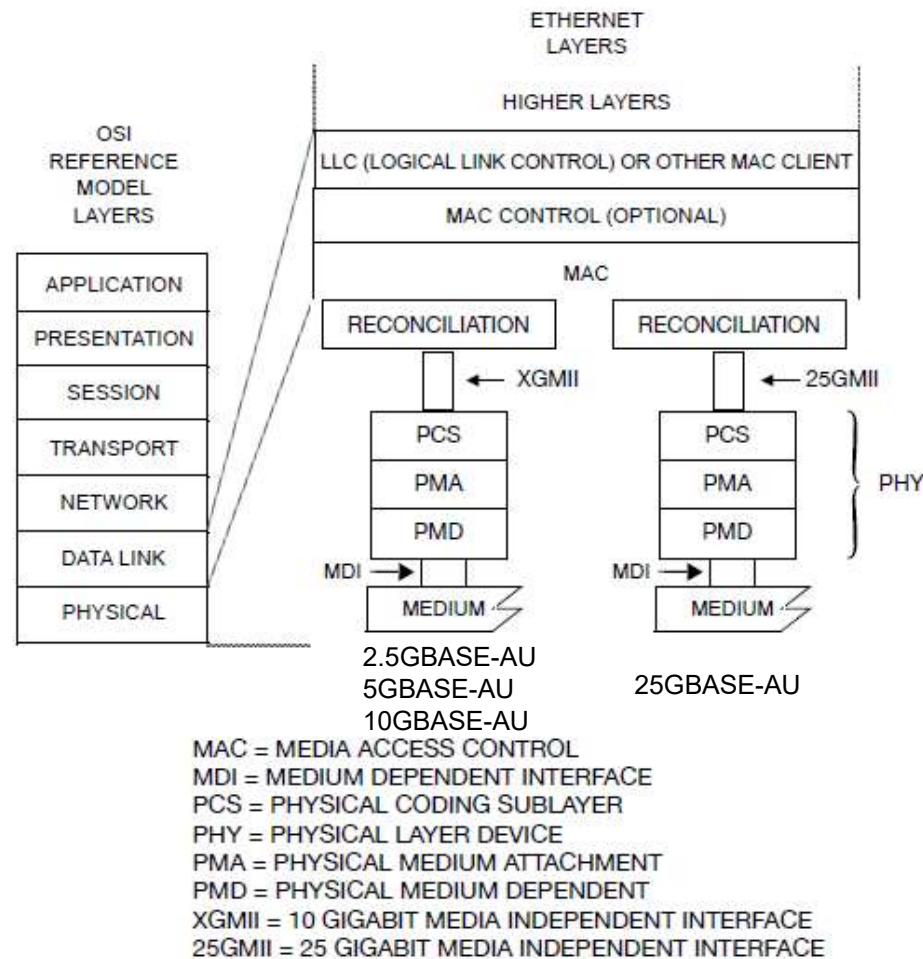
Overview

- This contribution is a baseline proposal for the **PMD and MDI** for **2.5, 5, 10 and 25 Gb/s** consistent with the already presented link budget analysis

Adopted physical layer specification objectives

- Define the performance characteristics of an automotive link segment and an optical PHY to **support 2.5 Gb/s** point-to-point operation over this link segment supporting up to **4 inline connectors for at least 40 m** on at least one type of automotive optical cabling
- Define the performance characteristics of an automotive link segment and an optical PHY to **support 5 Gb/s** point-to-point operation over this link segment supporting up to **4 inline connectors for at least 40 m** on at least one type of automotive optical cabling
- Define the performance characteristics of an automotive link segment and an optical PHY to **support 10 Gb/s** point-to-point operation over this link segment supporting up to **4 inline connectors for at least 40 m** on at least one type of automotive optical cabling
- Define the performance characteristics of an automotive link segment and an optical PHY to **support 25 Gb/s** point-to-point operation over this link segment supporting up to **4 inline connectors for at least 40 m** on at least one type of automotive optical cabling
- Define the performance characteristics of an automotive link segment and an optical PHY to **support 50 Gb/s** point-to-point operation over this link segment supporting up to **2 inline connectors for at least 15 m** on at least one type of automotive optical cabling

Reference model



- Relationship of 802.3cz PMDs to the ISO/IEC OSI reference model and the IEEE 802.3 Ethernet Model

Proposed PMD text

- 300. Physical Coding Sublayer (PCS), Physical Medium Attachment (PMA) sublayer, and Physical Medium Dependent (PMD) sublayer, types 2.5GBASE-AU, 5GBASE-AU, 10GBASE-AU and 25GBASE-AU
- 300.1 Overview
 - This clause specifies the Physical Coding Sublayer (PCS), Physical Medium Attachment (PMA) sublayer, and Physical Medium Dependent (PMD) sublayer together with the multimode fiber medium of the Physical Layers (PHYs) types 2.5GBASE-AU, 5GBASE-AU, 10GBASE-AU and 25GBASE-AU. The optical signals generated by these four PMD types are modulated using a NRZ format. The PMD sublayers provide point-to-point 2.5, 5, 10 and 25 Gigabit Ethernet links over one pair of multimode fiber with a reach of up to at least 40 m.
 - When forming a complete Physical Layer, a PMD shall be connected to the appropriate PMA and PCS to the medium through the MDI and optionally with the management functions that may be accessible through the management interface.

PMD to MDI optical specifications

300.7 PMD to MDI optical specifications for 2.5GBASE-AU, 5GBASE-AU, 10GBASE-AU and 25GBASE-AU

The operating range for the 2.5GBASE-AU, 5GBASE-AU, 10GBASE-AU and 25GBASE-AU PMDs is defined in Table 300–7. A compliant PMD operates on 50/125 μm multimode fibers, type A1a.2 (OM3) according to the specifications defined in Table 300–14. A PMD that exceeds the operating range requirement while meeting all other optical specifications is considered compliant (e.g., a 10GBASE-AU PMD operating at 60 m meets the operating range requirement of 0.5 m to 40 m).

Table 300-7 Operating range

PMD	Required operating range
2.5GBASE-AU 5GBASE-AU 10GBASE-AU 25GBASE-AU	0.5- 40m

PMD to MDI optical specifications (cont.)

300.7.1 Transmitter optical specifications

The transmitter for 2.5GBASE-AU, 5GBASE-AU, 10GBASE-AU and 25GBASE-AU shall meet the specifications in Table 300-8 per the specifications in 300.8

Specification Table TBD

300.7.2 Receiver optical specifications

The receiver for 2.5GBASE-AU, 5GBASE-AU, 10GBASE-AU and 25GBASE-AU shall meet the specifications in Table 300-9 per the specifications in 300.8

Specification Table TBD

Illustrative power budget

300.7.3 Illustrative link power budget

The illustrative power budget and penalties 2.5GBASE-AU, 5GBASE-AU, 10GBASE-AU and 25GBASE-AU channels are shown in Table 300–10.

Table 300–10—Illustrative link power budget

Parameter	2.5G	5G	10G	25G	Unit
Effective modal bandwidth	950				MHz•km
Power budget	16.28		14.28		dB
Operating distance	40				m
Channel insertion loss ^a	8.28		8.28		dB
Allocation for penalties ^b	TBD		TBD		dB
Additional insertion loss allowed	TBD		TBD		dB

^a The channel insertion loss is calculated using the maximum distance specified in Table 300–7 and cabled optical fiber attenuation of 2 dB/km at 980 nm plus an allocation for connection and splice loss given in 300.10.2.2.1.

^b Link penalties are used for link budget calculations. They are not requirements and are not meant to be tested.

Cabling Model

300.10 Fiber optic cabling model

The fiber optic cabling (channel) contains 1 optical fiber for each direction to support 2.5GBASE-AU, 5GBASE-AU, 10GBASE-AU and 25GBASE-AU, respectively. The fiber optic cabling interconnects the transmitters at the MDI on one end of the channel to the receivers at the MDI on the other end of the channel.

300.10.1 Fiber optic cabling model

The fiber optic cabling model is shown in Figure 300–5.

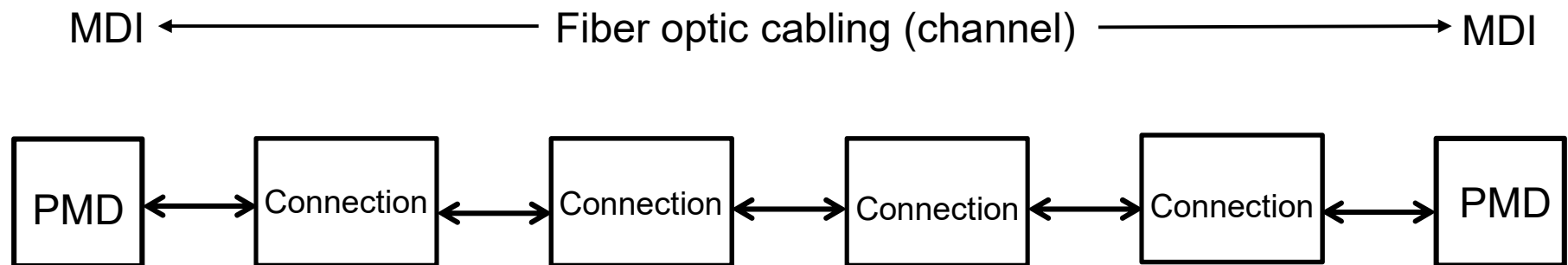


Figure 300–5—Fiber optic cabling model

Cabling model (cont.)

The channel insertion loss is given in Table 300–14. A channel may contain additional connectors as long as the optical characteristics of the channel (such as attenuation, modal dispersion, reflections and losses of all connectors and splices) meet the specifications.

Table 300-14 Channel Insertion Loss

Description	2.5G	5G	10G	25G	Units
Nominal wavelength			980		nm
Operating distance			40		m
Channel insertion loss			8.28		dB

Characteristics of the fiber optic cabling

300.10.2 Characteristics of the fiber optic cabling (channel)

The fiber optic cabling shall meet the specifications defined in Table 300-14. The fiber optic cabling consists of one or more sections of fiber optic cable and any intermediate connections required to connect sections together.

300.10.2.1 Optical fiber and cable

The fiber shall meet the requirements of IEC 60793-2-10 or the requirements of Table 300-15 where they differ for fiber types A1a (50/125 μm multimode).

Table 300-15

Description	50 μm multimode	Units
Nominal wavelength	980	nm
Cabled optical attenuation (max.)	2.0	dB/km
Modal bandwidth (min.)	950	MHz·km
Zero dispersion wavelength λ_0	1328	nm
Dispersion slope (max.) S_0	.093477	ps/nm ² ·km

Optical fiber connection

300.10.2.2 Optical fiber connection

An optical fiber connection, as shown in Figure 300-5, consists of a mated pair of optical connectors.

300.10.2.2.1 Connection insertion loss

The insertion loss is specified for a connection, which consists of a mated pair of optical connectors. The maximum link distances for multimode fiber are calculated based on an allocation of 8.0 dB total connection loss. For example, this allocation supports four connections with a maximum insertion loss equal to 2.0 dB(or less) per connection, or two connections with an insertion loss of 4.0 dB per connection. Connections with different loss characteristics may be used provided the requirements of Table 300-14 are met.

300.10.2.2.2 Maximum discrete reflectance

The maximum discrete reflectance shall be less than -20 dB.

Medium Dependent Interface (MDI) requirements

300.10.3 Medium Dependent Interface (MDI) requirements

The PMD is coupled to the fiber optic cabling at the MDI. The MDI is the interface between the PMD and the “fiber optic cabling.”

When the MDI is a connector plug and receptacle connection, it shall meet the interface performance specifications of the following:

IEC 61753-1 “Fibre optic interconnecting devices and passive component performance standard - Part 1: General and guidance Interconnecting devices (connectors) Table xx.

NOTE—Compliance testing is performed at TP2 and TP3 as defined in 300.xx.y, not at the MDI.

IEC 61753-1 Performance Standard

- Connector grades
 - Propose adding a new grade for Automotive
 - 3 options
 - Mean of 0.6, 97% of 1.2 (max ~1.5)
 - Mean of 0.7, 97% of 1.4 (max ~1.75)
 - Mean of 0.8, 97% of 1.6 (max ~2.0)

Table A.18 – Multi mode connectors

Optical performance criteria for multi mode connectors		
Test	Requirement	
Attenuation of random mated connectors IEC 61300-3-34 for single-fibre connector and IEC 61300-3-45 for multi-fibre connector (Note 1)	Attenuation grades	Attenuation at 850 nm
	Grade A _m	Not specified at this time
	Grade B _m	≤ 0,3 dB mean ≤ 0,6 dB max. for ≥ 97 % of the connections
	Grade C _m	≤ 0,5 dB mean ≤ 1,0 dB max. for ≥ 97 % of the connections
	Grade D _m	Not specified at this moment
Random mated return loss: IEC 61300-3-6	Return loss grades	Return loss at 850 nm
	Grade 1 _m	Not specified at this time
	Grade 2 _m	≥ 20 dB (mated)